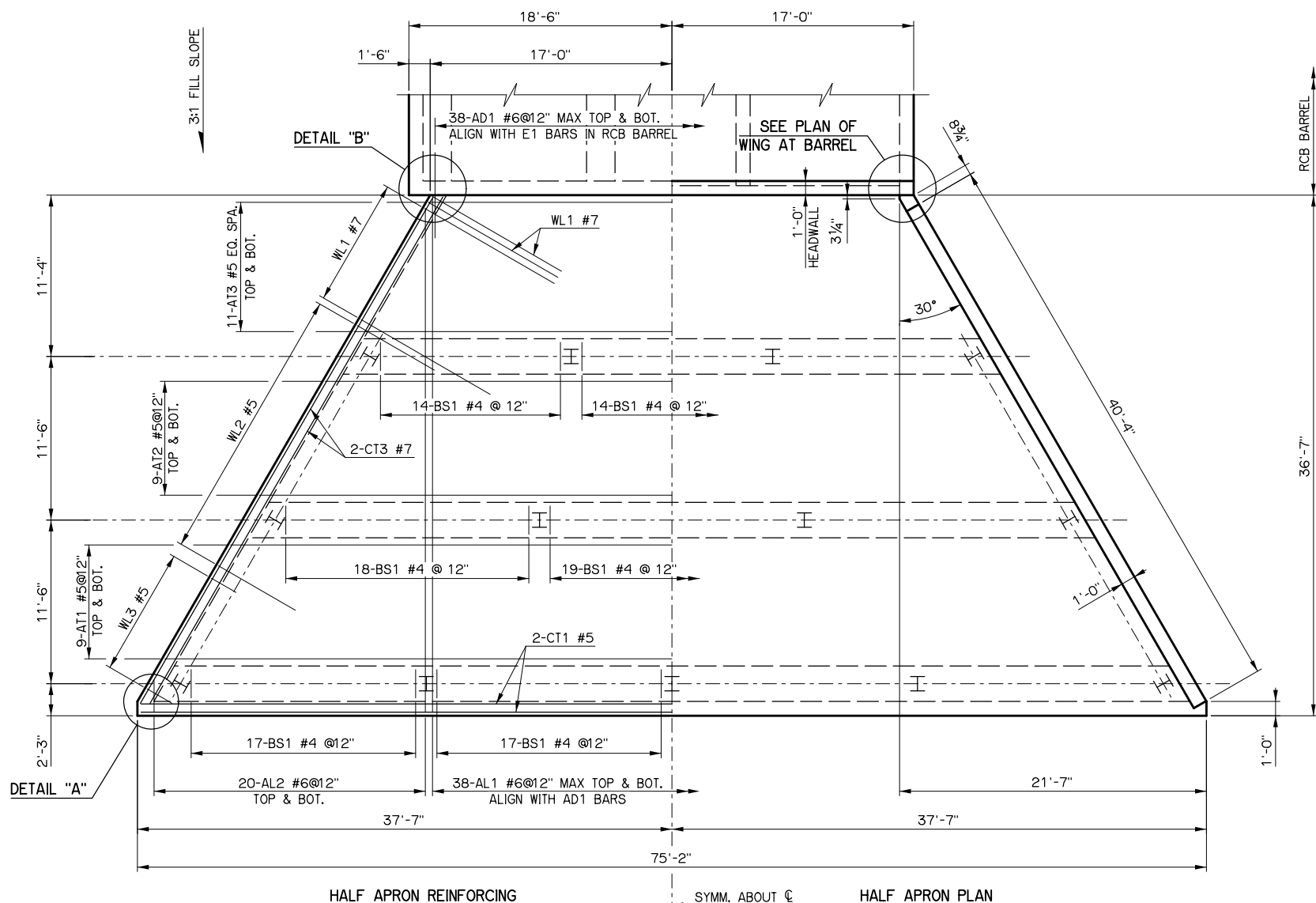
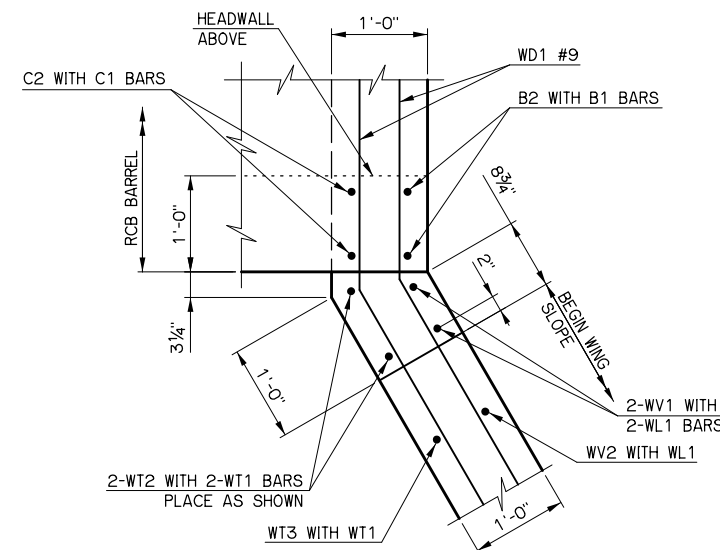


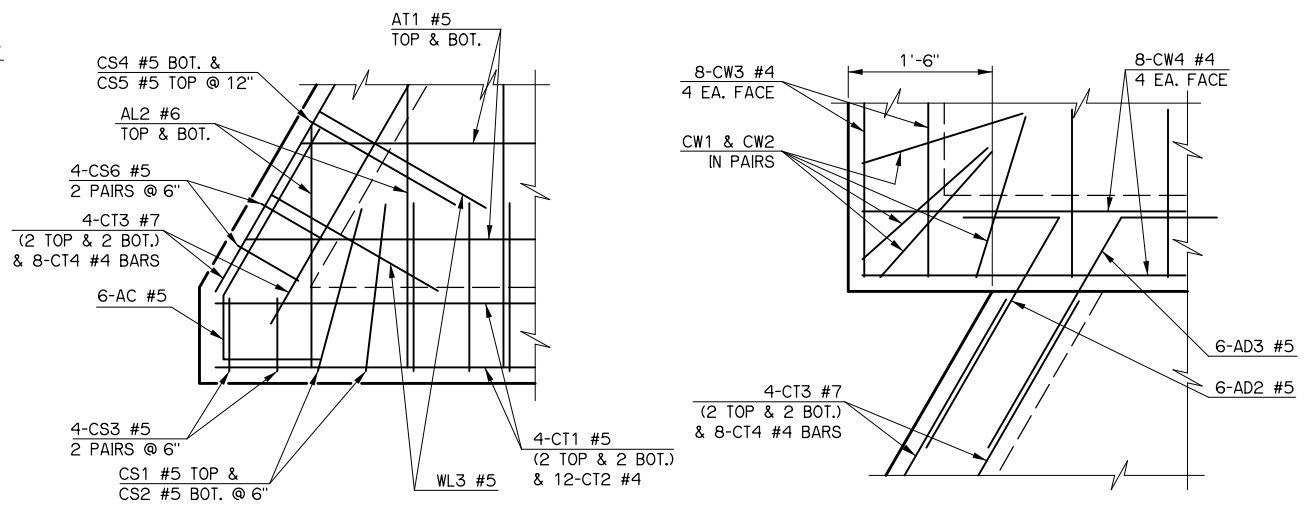
REV. NO.	DESCRIPTION	REVISIONS	DATE



APRON DETAIL

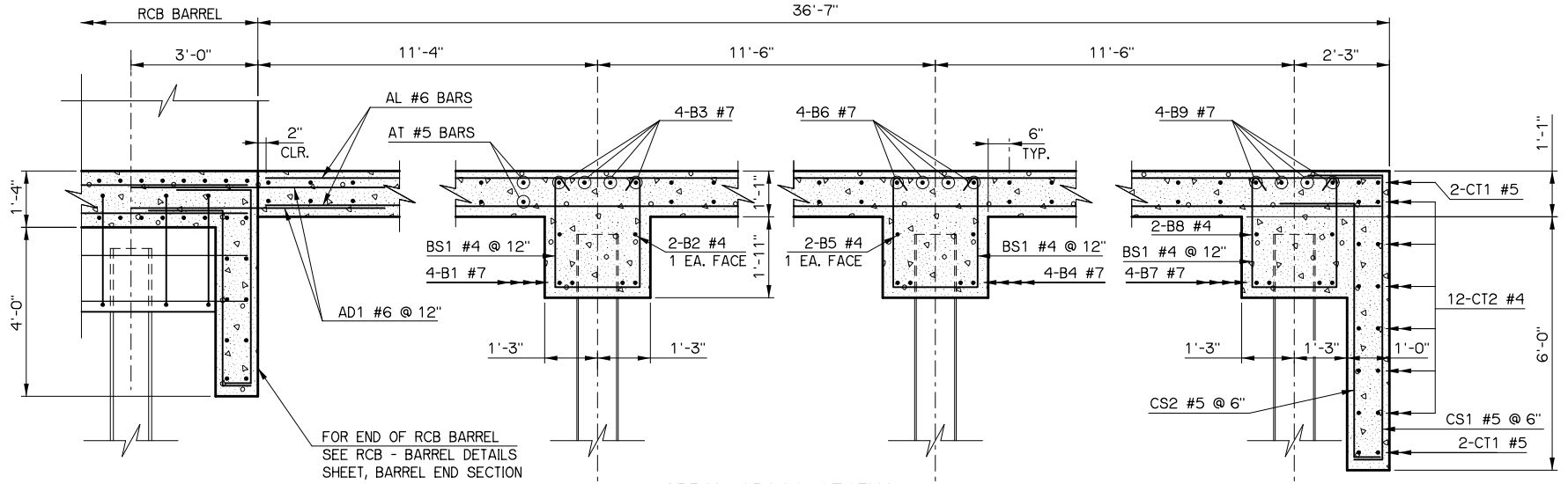


PLAN OF WING AT BARREL



DETAIL "A"

DETAIL "B"



APRON CROSS SECTION

SH-99 OVER UNNAMED CREEK BRIDGE "B"		OSAGE COUNTY		Design	SBH	-
RCB CULVERT - END SECTION DETAILS SHEET 1 OF 3				Detail	RM	-
NO. 5730 1170 X				Check	-	-
STATE OF OKLAHOMA DEPARTMENT OF TRANSPORTATION				Squad
JOB PIECE NO. 24261(04)				Engr.
SHEET NO. 108						

Plotted By: rdm Date: 6/7/2017 4:52:41 PM
 FILE: I:\2010\10K11 Birch Sali Rock Creek\001 - Birch Creek-Final P&E Submittal 6-7-17\109-RCB Culvert End Section Details Sheet 1 of 3.dgn